

WHITING

PORTABLE ELECTRIC RAIL JACKS

Manufactured and sold by Handling Specialty

Reliability is carefully engineered into every Whiting portable electric jack. Found on every continent, for over 80 years the company's outstanding design and top quality construction has provided years of dependable service with minimum maintenance. This tradition has established Whiting jacks as one of the most reliable, reputable and long-lasting locomotive and railcar lift jacks in the world.

FEATURES – IN EVERY WHITING JACK

BUTTRESS THREAD

- The load screw in each Whiting jack is a machined buttress thread
- The buttress thread has an inherent self locking feature which makes them ideal for lifting equipment applications
- No other manufacturer of jacks uses buttress threads

SCREW-IN COMPRESSION

- Our in compression design eliminates the possible breakage in gear when the jacks are under load
- The worst case failure scenario of a screw in compression design is general wear and tear of the threads
- Other manufacturers differ in having their load screws "in tension"

SELF LOCKING

- Jacks are self locking in case of power failure

SYNCHRONIZATION

- Whiting's hoist duty jack motors are all designed and tested to be synchronized to each other as matched sets, to ensure all jack screws are turning at the same speed
- This eliminates the need for expensive equipment to continuously monitor any variation in turning speed and lifting height variations

ELECTRICAL CONTROLS

- All electrical components are UL/CSA approved

MOTORS

- Heavy duty "Class B" motors ensure dependable and long term usage of the equipment

CONTROLS

- Jacks can be operated individually, or in sets

LIFTING BRACKETS

- Lifting brackets can be modified to any configuration to suit the customer's lifting application

PORTABILITY

- Jacks can be moved by one person
- Lifting brackets are not required to be lowered to engage portable wheels

ADDITIONAL SERVICES - CALL FOR DETAILS

LEASING AND RENTING

Short term rentals and long term leases available

INSPECTION AND MAINTENANCE

Annual inspection and maintenance services available

REBUILDING

We offer a complete teardown, full inspection and rebuilding service on any used jack equipment

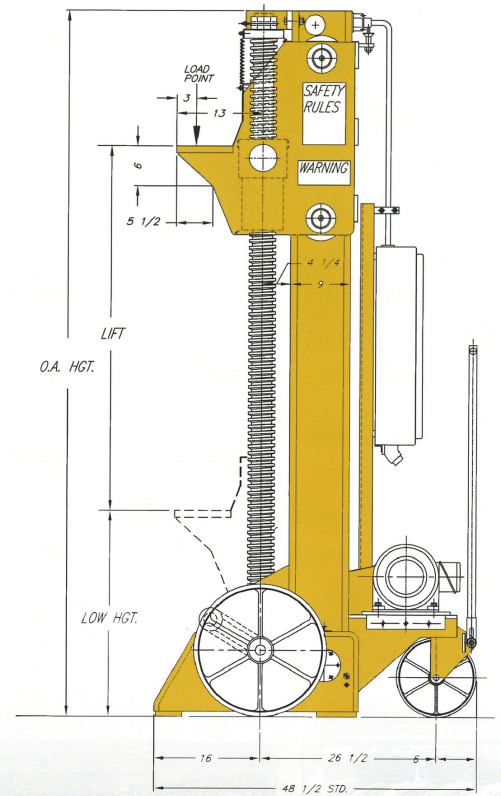
CONTACT

Richard Breznik, Transportation Product Manager
Handling Specialty Mfg. and Whiting Rail Equipment
Grimsby, Ontario, Canada
Tel: 905.945.9661 ext. 233
Toll free: 800.559.8366 ext. 233
Email: rbreznik@handling.com
Web: www.handling.com

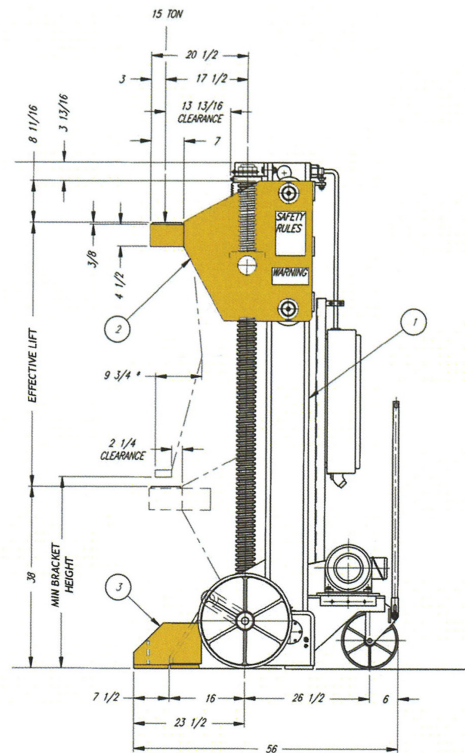




STANDARD JACK DIMENSIONS (35 TON)



OPTIONAL LIFTING BRACKET DESIGNS



ADDITIONAL FEATURES (OPTIONS)

The following optional features are available for all models of Whiting portable electric jack sets. They can be factory installed or can be purchased at a later date in kit form.

- Zero Speed Shutdown System
- Upper Overtravel Limit Switch
- Nut Wear Indicator and Follower Nut
- Automatic Nut Lubricator
- Protective Storage Covers

WARRANTY



The lifting bracket can be modified to suit any application and required clearances for any rail vehicle body.

STANDARD JACK SPECIFICATIONS

MODEL	CAPACITY (metric ton)	HP (kw)	SPEED I.P.M. (mm/min)	EFFECTIVE LIFT (mm)	MINIMUM BRACKET HEIGHT (mm)	SCREW DIA (mm)	HEIGHT (mm)	WIDTH (mm)	LENGTH (mm)	WEIGHT (kg)
MA*	25 tons (22.5)	5 (3.73)	9"/min (229)	6' 0" (1828mm)	2' 7" (787)	3'15/16" (100)	10' 2-1/2" (3112)	3' 5-1/2" (1054)	4' 0-1/2" (1232)	2800 lbs (1270)
MA*	35 tons (31.5)	7.5 (5.59)	9"/min (229)	6' 0" (1828mm)	2' 7" (787)	3'15/16" (100)	10' 2-1/2" (3112)	3' 5-1/2" (1054)	4' 0-1/2" (1232)	2800 lbs (1270)
MB	50 tons (45)	12.5 (9.32)	8"/min (203)	6' 6" (1981mm)	2' 9" (838)	4'15/16" (125)	12' 1-7/8" (3731)	3' 5-1/2" (1054)	4' 5-7/8" (1368)	4700 lbs. (2132)
MC	60 tons (54)	15 (11.20)	8.5"/min (216)	5' 7" (1702mm)	2' 9" (838)	4'15/16" (125)	11' 6-7/8" (3528)	3' 5-1/2" (1054)	4' 6-3/8" (1381)	5000 lbs (2262)

*Please note that the 25 and 35 Ton jacks also come in a standard MAL Model with a minimum bracket height of 2'-3" (686mm) instead of 2'-7" (787mm).